

Sandwich, corner and parapet elements

Technical information

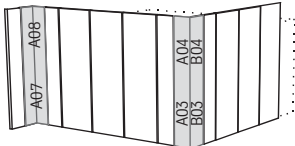
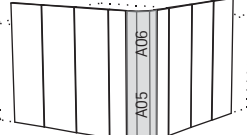
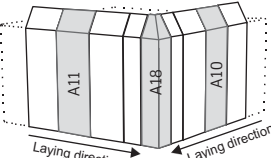
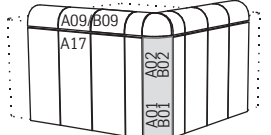
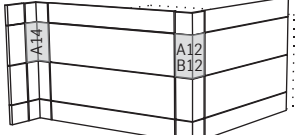
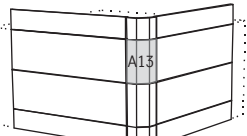
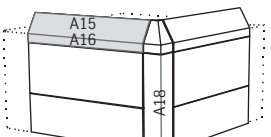
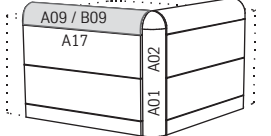
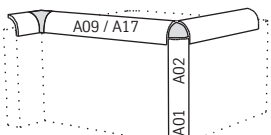


A company
of ThyssenKrupp
Steel

ThyssenKrupp Bausysteme



ThyssenKrupp

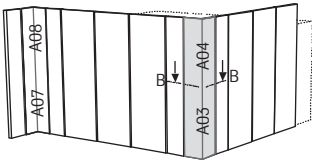
| Corner or parapet element | Hoesch isowand integral® and Hoesch isowand vario® | Hoesch isorock® and Hoesch isorock vario® | |
|--------------------------------|---|---|----|
| Vertical laying |  | 4.5 | 15 |
| |  | 6 | - |
| |  | 7.8 | - |
| |  | 9 | 16 |
| Horizontal laying |  | 10 | 18 |
| |  | 11 | - |
| |  | 12 | - |
| Vertical and horizontal laying |  | 13 | 17 |
| |  | 19 | 19 |

Hoesch isowand integral®



Hoesch isowand vario®





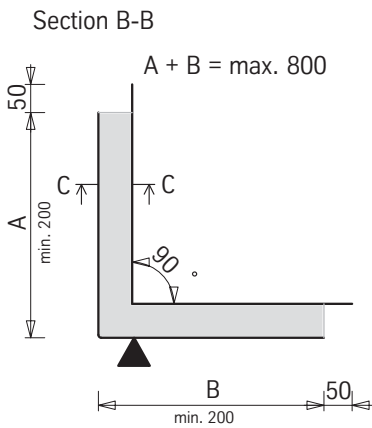
Drawing

Drawing no.: _____ TKS-BAU job no.: _____

Appendix to BOM: _____ Building project: _____

Issued by: _____ Date: _____

90° outer corners

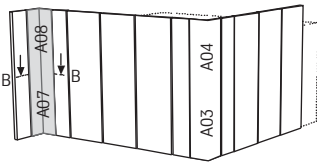


▲ = outer sheet with protective foil

| | | | | | |
|---|---------|---|-----------------------------|------------------------------|------------------------------|
| Basic element Cover width 1000 mm ¹ | | <input type="checkbox"/> Hoesch isowand integral® <input type="checkbox"/> Hoesch isowand vario® | | | |
| Panel thickness | | <input type="checkbox"/> 60 | <input type="checkbox"/> 80 | <input type="checkbox"/> 100 | <input type="checkbox"/> 120 |
| Outer sheet | Type | <input type="checkbox"/> E | <input type="checkbox"/> M | <input type="checkbox"/> V | <input type="checkbox"/> L |
| | Coating | | | | |
| | Colour | | | | |
| Inner sheet | Type | <input type="checkbox"/> E | <input type="checkbox"/> L | | |
| | Coating | | | | |
| | Colour | | | | |

| Standard element | Part no. A03 | Supplementary element | Part no. A04 |
|--|--|--|--|
| Item Quantity Dimension A mm Dimension B mm Dimension L mm | Section C-C L max. 12500 | Item Quantity Dimension A mm Dimension B mm Dimension L mm | Section C-C L max. 12500 |

¹ Other cover widths may be ordered as special elements with a separate drawing, part no. A99.



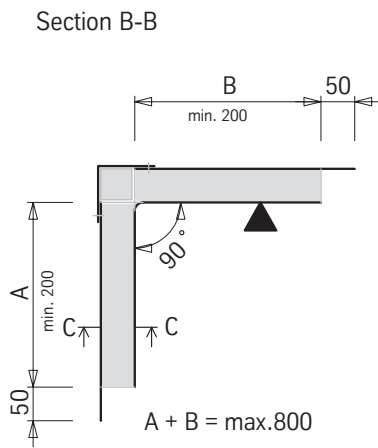
Drawing

Drawing no.: _____ TKS-BAU job no.: _____

Appendix to BOM: _____ Building project: _____

Issued by: _____ Date: _____

90° inner corners

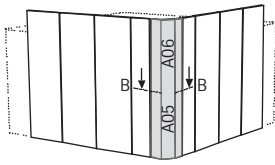


▲ = outer sheet with protective foil

| | | | | | |
|---|---------|---|-----------------------------|------------------------------|------------------------------|
| Basic element Cover width 1000 mm ¹ | | <input type="checkbox"/> Hoesch isowand integral® <input type="checkbox"/> Hoesch isowand vario® | | | |
| Panel thickness | | <input type="checkbox"/> 60 | <input type="checkbox"/> 80 | <input type="checkbox"/> 100 | <input type="checkbox"/> 120 |
| Outer sheet | Type | <input type="checkbox"/> E | <input type="checkbox"/> M | <input type="checkbox"/> V | <input type="checkbox"/> L |
| | Coating | | | | |
| | Colour | | | | |
| Inner sheet | Type | <input type="checkbox"/> E | <input type="checkbox"/> L | | |
| | Coating | | | | |
| | Colour | | | | |

| Standard element | Part no. A07 | Supplementary element | Part no. A08 |
|----------------------|--------------|-----------------------|--------------|
| Item | Section C-C | Item | Section C-C |
| Quantity | | Quantity | |
| Dimension A mm | | Dimension A mm | |
| Dimension B mm | | Dimension B mm | |
| Dimension L mm | | Dimension L mm | |

¹ Other cover widths may be ordered as special elements with a separate drawing, part no. A99.



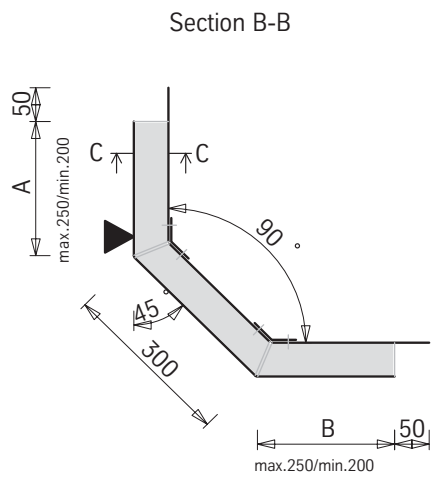
Drawing

Drawing no.: _____ TKS-BAU job no.: _____

Appendix to BOM: _____ Building project: _____

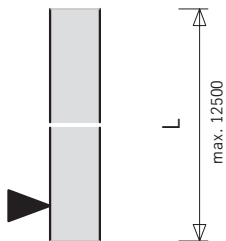
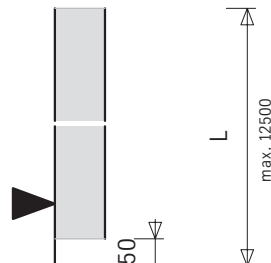
Issued by: _____ Date: _____

45° outer corners

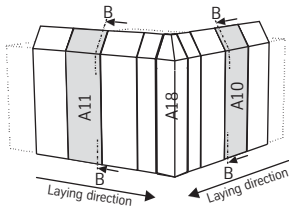


▲ = outer sheet with protective foil

| | | | | | |
|---|-----------------|---|-----------------------------|------------------------------|------------------------------|
| Basic element Cover width 1000 mm ¹ | | <input type="checkbox"/> Hoesch isowand integral® <input type="checkbox"/> Hoesch isowand vario® | | | |
| Outer sheet | Panel thickness | <input type="checkbox"/> 60 | <input type="checkbox"/> 80 | <input type="checkbox"/> 100 | <input type="checkbox"/> 120 |
| | Type | <input type="checkbox"/> E | <input type="checkbox"/> M | <input type="checkbox"/> V | <input type="checkbox"/> L |
| | Coating | | | | |
| Inner sheet | Colour | | | | |
| | Type | <input type="checkbox"/> E | <input type="checkbox"/> L | | |
| | Coating | | | | |
| Colour | | | | | |

| Standard element | Part no. A05 | Supplementary element | Part no. A06 |
|----------------------|---|-----------------------|---|
| Item | Section C-C | Item | Section C-C |
| Quantity |  | Quantity |  |
| Dimension A mm | | Dimension A mm | |
| Dimension B mm | | Dimension B mm | |
| Dimension L mm | | Dimension L mm | |

¹ Other cover widths may be ordered as special elements with a separate drawing, part no. A99.



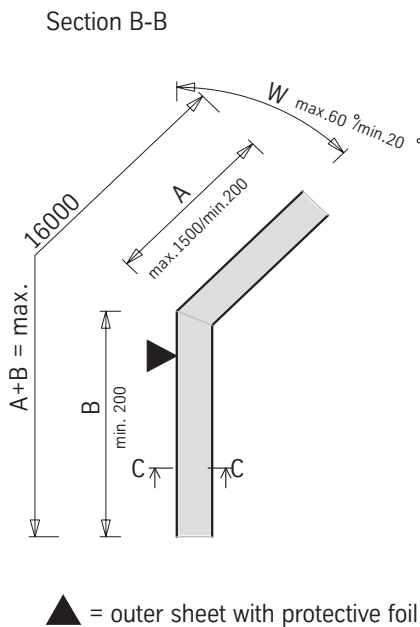
Drawing

Drawing no.: _____ TKS-BAU job no.: _____

Appendix to BOM: _____ Building project: _____

Issued by: _____ Date: _____

Angled parapets

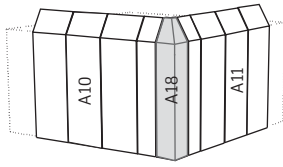


| | | | | | |
|---|---------|---|-----------------------------|------------------------------|------------------------------|
| Basic element Cover width 1000 mm ¹ | | <input type="checkbox"/> Hoesch isowand integral® <input type="checkbox"/> Hoesch isowand vario® | | | |
| Panel thickness | | <input type="checkbox"/> 60 | <input type="checkbox"/> 80 | <input type="checkbox"/> 100 | <input type="checkbox"/> 120 |
| Outer sheet | Type | <input type="checkbox"/> E | <input type="checkbox"/> M | <input type="checkbox"/> V | <input type="checkbox"/> L |
| | Coating | | | | |
| | Colour | | | | |
| Inner sheet | Type | <input type="checkbox"/> E | <input type="checkbox"/> L | | |
| | Coating | | | | |
| | Colour | | | | |

| Standard element | Part no. A011 | Supplementary element | Part no. A10 |
|--------------------|-------------------|-----------------------|-------------------|
| Item | Dimension A | Item | Dimension A |
| Quantity | Dimension B | Quantity | Dimension B |
| Angle W | A + B | Angle W | A + B |
| | ≤ 160000 mm | | ≤ 160000 mm |
| <p>Section C-C</p> | | <p>Section C-C</p> | |

Please note: When using together with A18, take account of the limited dimensions A and W of A18.

¹ Other cover widths may be ordered as special elements with a separate drawing, part no. A99.



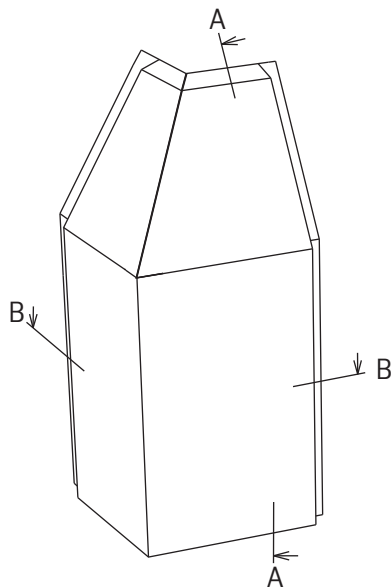
Drawing

Drawing no.: _____ TKS-BAU job no.: _____

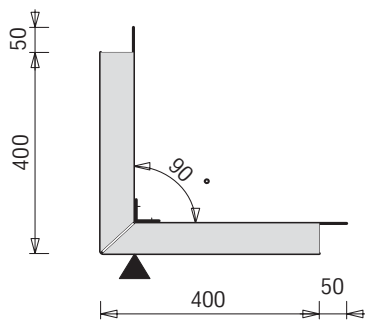
Appendix to BOM: _____ Building project: _____

Issued by: _____ Date: _____

Angled corner element **Part no. A018**



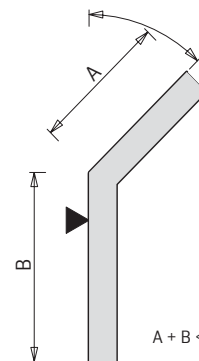
Section B-B



▲ = outer sheet with protective foil

| | | | | | |
|---|---------|---|-----------------------------|------------------------------|------------------------------|
| Basic element Cover width 1000 mm ¹ | | <input type="checkbox"/> Hoesch isowand integral® <input type="checkbox"/> Hoesch isowand vario® | | | |
| Panel thickness | | <input type="checkbox"/> 60 | <input type="checkbox"/> 80 | <input type="checkbox"/> 100 | <input type="checkbox"/> 120 |
| Outer sheet | Type | <input type="checkbox"/> E | <input type="checkbox"/> M | <input type="checkbox"/> V | <input type="checkbox"/> L |
| | Coating | | | | |
| | Colour | | | | |
| Inner sheet | Type | <input type="checkbox"/> E | <input type="checkbox"/> L | | |
| | Coating | | | | |
| | Colour | | | | |

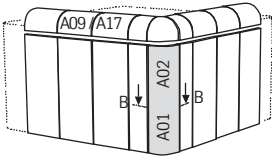
| | | | | |
|------------------|--|------------------------------|------------------------------|------------------------------|
| Item | | | | |
| Quantity | | | | |
| Angle W | <input type="checkbox"/> 20° | <input type="checkbox"/> 30° | <input type="checkbox"/> 45° | <input type="checkbox"/> 60° |
| A _{max} | 900 mm | 600 mm | 450 mm | 400 mm |
| Dimension A | mm (A _{max} ≥ A ≥ 200 mm) | | | |
| Dimension B | mm (B ≥ 200 mm) | | | |
| A + B | mm (≤ 16000 mm) | | | |



Section A-A

A + B ≤ 16000 mm

¹ Other cover widths may be ordered as special elements with a separate drawing, part no. A99.



Drawing

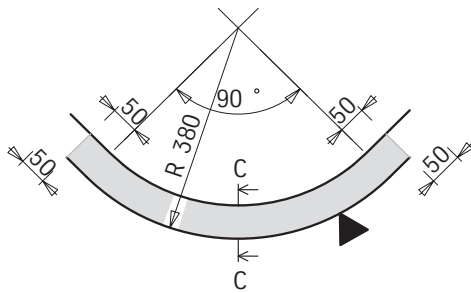
Drawing no.: _____ TKS-BAU job no.: _____

Appendix to BOM: _____ Building project: _____

Issued by: _____ Date: _____

Bent outer corners

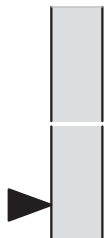
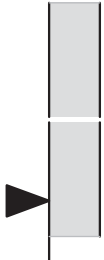
Section B-B



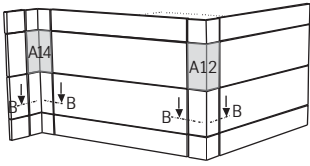
▲ = outer sheet with protective foil

Please note: The textures of the cover sheets type "M", "V", "L" are orientated vertically.

| | | | | | |
|---|---------|---|-----------------------------|------------------------------|------------------------------|
| Basic element Cover width 1000 mm ¹ | | <input type="checkbox"/> Hoesch isowand integral® <input type="checkbox"/> Hoesch isowand vario® | | | |
| Panel thickness | | <input type="checkbox"/> 60 | <input type="checkbox"/> 80 | <input type="checkbox"/> 100 | <input type="checkbox"/> 120 |
| Outer sheet | Type | <input type="checkbox"/> E | <input type="checkbox"/> M | <input type="checkbox"/> V | <input type="checkbox"/> L |
| | Coating | | | | |
| | Colour | | | | |
| Inner sheet | Type | <input type="checkbox"/> E | <input type="checkbox"/> L | | |
| | Coating | | | | |
| | Colour | | | | |

| Standard element | Part no. A01 | Supplementary element | Part no. A02 |
|-------------------|---|-----------------------|---|
| Item | Section C-C | Item | Section C-C |
| Quantity |  | Quantity |  |
| Dimension L | mm | Dimension L | mm |

¹ Other cover widths may be ordered as special elements with a separate drawing, part no. A99.



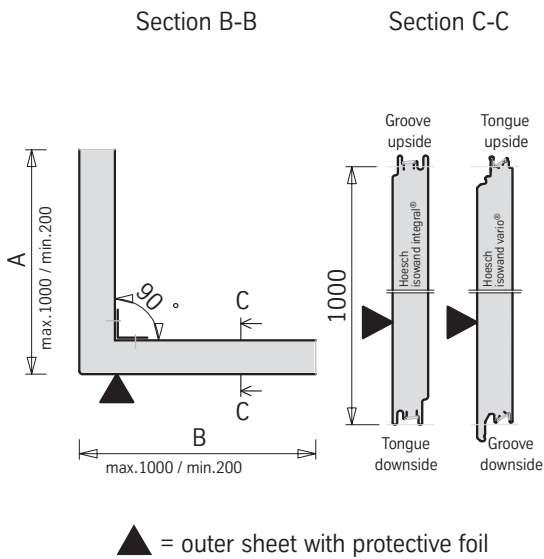
Drawing

Drawing no.: _____ TKS-BAU job no.: _____

Appendix to BOM: _____ Building project: _____

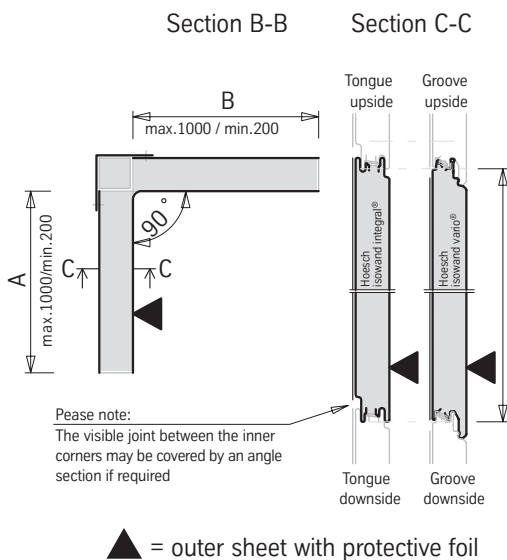
Issued by: _____ Date: _____

90° outer corner **Part no. A12**



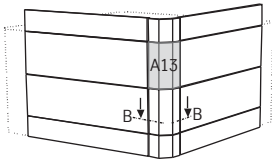
| | | | | | |
|---|-----------------|---|-----------------------------|------------------------------|------------------------------|
| Basic element Cover width 1000 mm ¹ | | <input type="checkbox"/> Hoesch isowand integral® <input type="checkbox"/> Hoesch isowand vario® | | | |
| Outer sheet | Panel thickness | <input type="checkbox"/> 60 | <input type="checkbox"/> 80 | <input type="checkbox"/> 100 | <input type="checkbox"/> 120 |
| | Type | <input type="checkbox"/> E | <input type="checkbox"/> M | <input type="checkbox"/> V | <input type="checkbox"/> L |
| | Coating | | | | |
| Inner sheet | Colour | | | | |
| | Type | <input type="checkbox"/> E | <input type="checkbox"/> L | | |
| | Coating | | | | |
| Colour | | | | | |
| Item | | Quantity | | | |

90° inner corner **Part no. A14**



| | | | | | |
|---|-----------------|---|-----------------------------|------------------------------|------------------------------|
| Basic element Cover width 1000 mm ¹ | | <input type="checkbox"/> Hoesch isowand integral® <input type="checkbox"/> Hoesch isowand vario® | | | |
| Outer sheet | Panel thickness | <input type="checkbox"/> 60 | <input type="checkbox"/> 80 | <input type="checkbox"/> 100 | <input type="checkbox"/> 120 |
| | Type | <input type="checkbox"/> E | <input type="checkbox"/> M | <input type="checkbox"/> V | <input type="checkbox"/> L |
| | Coating | | | | |
| Inner sheet | Colour | | | | |
| | Type | <input type="checkbox"/> E | <input type="checkbox"/> L | | |
| | Coating | | | | |
| Colour | | | | | |
| Item | | Quantity | | | |

¹ Other cover widths may be ordered as special elements with a separate drawing, part no. A99.



Drawing

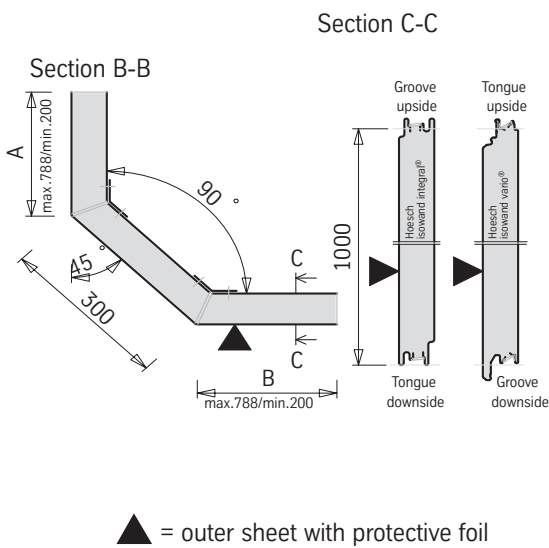
Drawing no.: _____ TKS-BAU job no.: _____

Appendix to BOM: _____ Building project: _____

Issued by: _____ Date: _____

45° outer corner

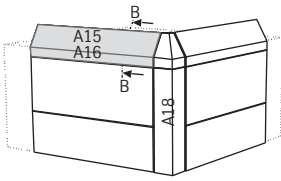
Part no. A13



| | | | | | |
|----------------------------------|---------|---|-----------------------------|------------------------------|------------------------------|
| Basic element | | <input type="checkbox"/> Hoesch isowand integral® | | | |
| Cover width 1000 mm ¹ | | <input type="checkbox"/> Hoesch isowand vario® | | | |
| Panel thickness | | <input type="checkbox"/> 60 | <input type="checkbox"/> 80 | <input type="checkbox"/> 100 | <input type="checkbox"/> 120 |
| Outer sheet | Type | <input type="checkbox"/> E | <input type="checkbox"/> M | <input type="checkbox"/> V | <input type="checkbox"/> L |
| | Coating | | | | |
| | Colour | | | | |
| Inner sheet | Type | <input type="checkbox"/> E | <input type="checkbox"/> L | | |
| | Coating | | | | |
| | Colour | | | | |

Item Quantity

¹ Other cover widths may be ordered as special elements with a separate drawing, part no. A99.



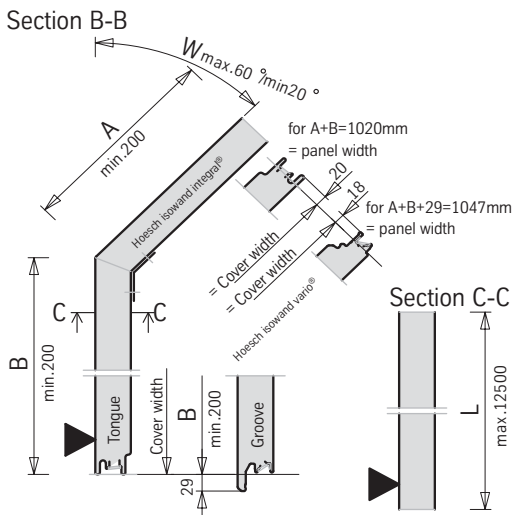
Drawing

Drawing no.: _____ TKS-BAU job no.: _____

Appendix to BOM: _____ Building project: _____

Issued by: _____ Date: _____

Angled parapet **Part no. A15**

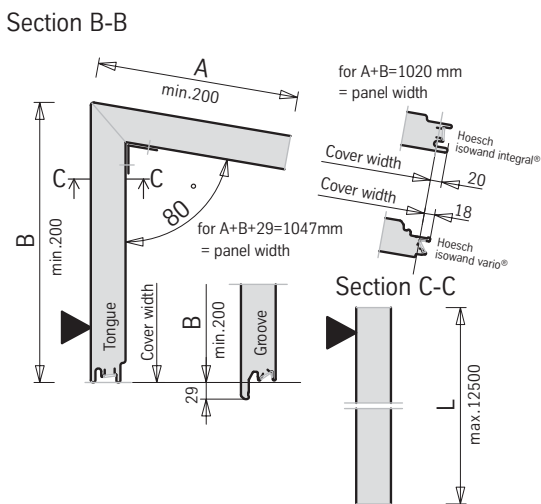


| | | | | | |
|----------------------------------|---------|---|-----------------------------|------------------------------|------------------------------|
| Basic element | | <input type="checkbox"/> Hoesch isowand integral® | | | |
| Cover width 1000 mm ¹ | | <input type="checkbox"/> Hoesch isowand vario® | | | |
| Panel thickness | | <input type="checkbox"/> 60 | <input type="checkbox"/> 80 | <input type="checkbox"/> 100 | <input type="checkbox"/> 120 |
| Outer sheet | Type | <input type="checkbox"/> E | <input type="checkbox"/> M | <input type="checkbox"/> V | <input type="checkbox"/> L |
| | Coating | | | | |
| | Colour | | | | |
| Inner sheet | Type | <input type="checkbox"/> E | <input type="checkbox"/> L | | |
| | Coating | | | | |
| | Colour | | | | |

Item Quantity

Please note: When using together with A18, take account of the limited dimensions A and W of A18

Angled parapet **Part no. A16**

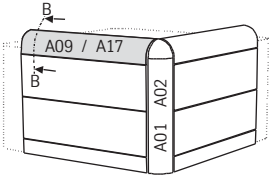


| | | | | | |
|----------------------------------|---------|---|-----------------------------|------------------------------|------------------------------|
| Basic element | | <input type="checkbox"/> Hoesch isowand integral® | | | |
| Cover width 1000 mm ¹ | | <input type="checkbox"/> Hoesch isowand vario® | | | |
| Panel thickness | | <input type="checkbox"/> 60 | <input type="checkbox"/> 80 | <input type="checkbox"/> 100 | <input type="checkbox"/> 120 |
| Outer sheet | Type | <input type="checkbox"/> E | <input type="checkbox"/> M | <input type="checkbox"/> V | <input type="checkbox"/> L |
| | Coating | | | | |
| | Colour | | | | |
| Inner sheet | Type | <input type="checkbox"/> E | <input type="checkbox"/> L | | |
| | Coating | | | | |
| | Colour | | | | |

Item Quantity

Please note: When using together with A18, take account of the limited dimensions A and W of A18

¹ Other cover widths may be ordered as special elements with a separate drawing, part no. A99.



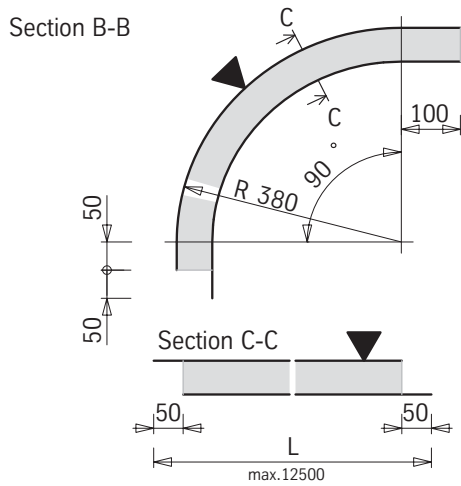
Drawing

Drawing no.: _____ TKS-BAU job no.: _____

Appendix to BOM: _____ Building project: _____

Issued by: _____ Date: _____

Bent parapet **Part no. A09**



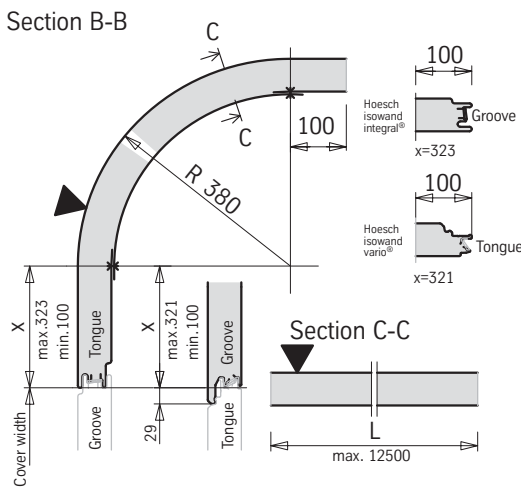
▲ = outer sheet with protective foil

Please note: The textures of the cover sheets type “M”, “V”, “L” are orientated horizontally.

| | | | | | |
|----------------------------------|---------|---|-----------------------------|------------------------------|------------------------------|
| Basic element | | <input type="checkbox"/> Hoesch isowand integral® | | | |
| Cover width 1000 mm ¹ | | <input type="checkbox"/> Hoesch isowand vario® | | | |
| Panel thickness | | <input type="checkbox"/> 60 | <input type="checkbox"/> 80 | <input type="checkbox"/> 100 | <input type="checkbox"/> 120 |
| Outer sheet | Type | <input type="checkbox"/> E | <input type="checkbox"/> M | <input type="checkbox"/> V | <input type="checkbox"/> L |
| | Coating | | | | |
| | Colour | | | | |
| Inner sheet | Type | <input type="checkbox"/> E | <input type="checkbox"/> L | | |
| | Coating | | | | |
| | Colour | | | | |

Item Quantity

Bent parapet **Part no. A17**



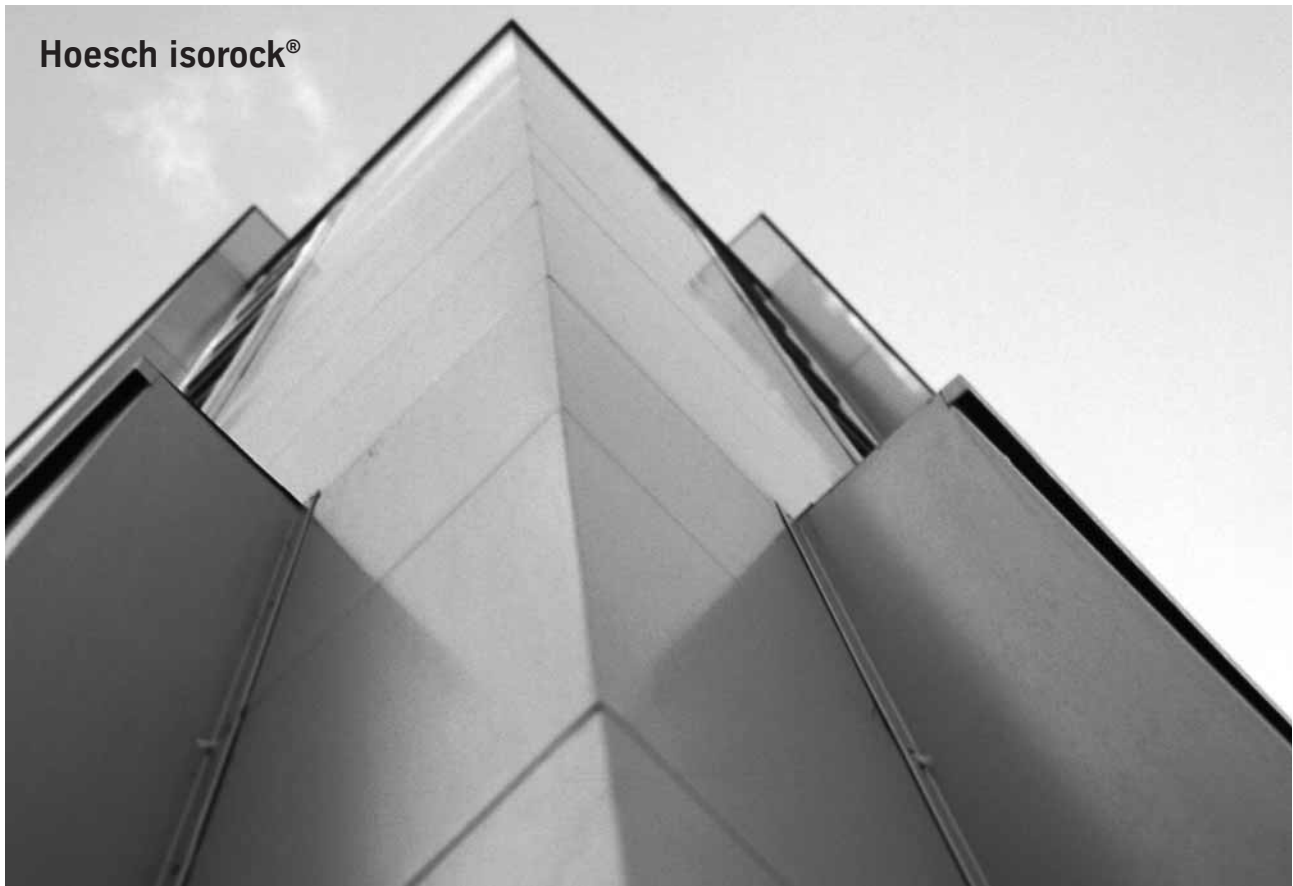
▲ = outer sheet with protective foil

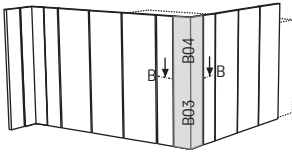
Please note: The textures of the cover sheets type “M”, “V”, “L” are orientated horizontally.

| | | | | | |
|----------------------------------|---------|---|-----------------------------|------------------------------|------------------------------|
| Basic element | | <input type="checkbox"/> Hoesch isowand integral® | | | |
| Cover width 1000 mm ¹ | | <input type="checkbox"/> Hoesch isowand vario® | | | |
| Panel thickness | | <input type="checkbox"/> 60 | <input type="checkbox"/> 80 | <input type="checkbox"/> 100 | <input type="checkbox"/> 120 |
| Outer sheet | Type | <input type="checkbox"/> E | <input type="checkbox"/> M | <input type="checkbox"/> V | <input type="checkbox"/> L |
| | Coating | | | | |
| | Colour | | | | |
| Inner sheet | Type | <input type="checkbox"/> E | <input type="checkbox"/> L | | |
| | Coating | | | | |
| | Colour | | | | |

Item Quantity

¹ Other cover widths may be ordered as special elements with a separate drawing, part no. A99.





Drawing

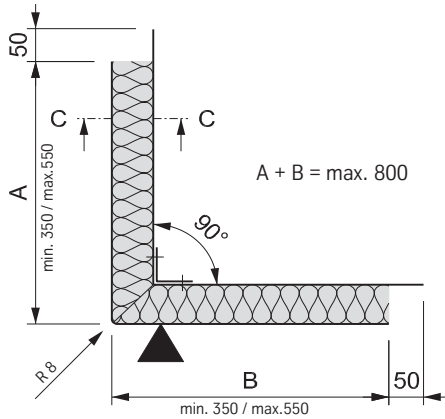
Drawing no.: _____ TKS-BAU job no.: _____

Appendix to BOM: _____ Building project: _____

Issued by: _____ Date: _____

90° outer corners **Part. no. B03/B04**

Section B-B

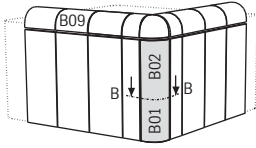


▲ = outer sheet with protective foil

| | | | | |
|---|---------|--|-----------------------------|------------------------------|
| Basic element Cover width 1000 mm ¹ | | <input type="checkbox"/> Hoesch isorock® <input type="checkbox"/> Hoesch isorock® vario | | |
| Panel thickness | | <input type="checkbox"/> 60 | <input type="checkbox"/> 80 | <input type="checkbox"/> 100 |
| Outer sheet | Type | <input type="checkbox"/> L | <input type="checkbox"/> M | <input type="checkbox"/> V |
| | Coating | | | |
| | Colour | | | |
| Inner sheet | Type | <input type="checkbox"/> E | <input type="checkbox"/> L | |
| | Coating | | | |
| | Colour | | | |

| Standard element | | Part no. B03 | Supplementary element | | Part no. B04 |
|-------------------|----|--------------|-----------------------|----|--------------|
| Item | | | Item | | |
| Quantity | | | Quantity | | |
| Dimension A | mm | | Dimension A | mm | |
| Dimension B | mm | | Dimension B | mm | |
| Dimension L | mm | | Dimension L | mm | |

¹ Other cover widths may be ordered as special elements with a separate drawing, part no. A99.



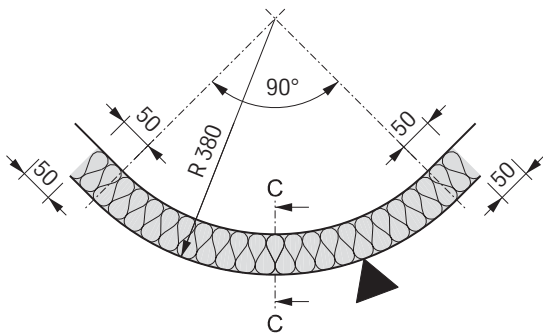
Drawing

Drawing no.: _____ TKS-BAU job no.: _____

Appendix to BOM: _____ Building project: _____

Issued by: _____ Date: _____

Bent outer corners Part. no. B01 / B02



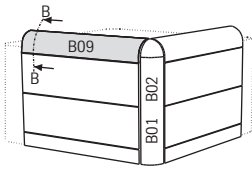
▲ = outer sheet with protective foil

Please note: The textures of the cover sheets type "M", "V", "L" are orientated vertically.

| | | | | |
|---|--|-----------------------------|------------------------------|------------------------------|
| Basic element Cover width 1000 mm ¹ | <input type="checkbox"/> Hoesch isorock® | | | |
| | <input type="checkbox"/> Hoesch isorock® vario | | | |
| Panel thickness | <input type="checkbox"/> 60 | <input type="checkbox"/> 80 | <input type="checkbox"/> 100 | <input type="checkbox"/> 120 |
| Outer sheet | Type | <input type="checkbox"/> L | <input type="checkbox"/> M | <input type="checkbox"/> V |
| | Coating | | | |
| | Colour | | | |
| Inner sheet | Type | <input type="checkbox"/> E | <input type="checkbox"/> L | |
| | Coating | | | |
| | Colour | | | |

| Standard element | Part no. B01 | Supplementary element | Part no. B02 |
|----------------------|--------------|-----------------------|--------------|
| Item | Section C-C | Item | Section C-C |
| Quantity | | Quantity | |
| Dimension A mm | | Dimension A mm | |
| Dimension B mm | | Dimension B mm | |
| Dimension L mm | | Dimension L mm | |

¹ Other cover widths may be ordered as special elements with a separate drawing, part no. A99.



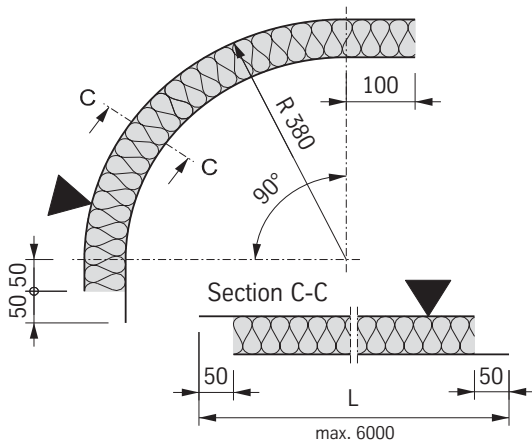
Drawing

Drawing no.: _____ TKS-BAU job no.: _____

Appendix to BOM: _____ Building project: _____

Issued by: _____ Date: _____

Bent parapet **Part. no. B09**

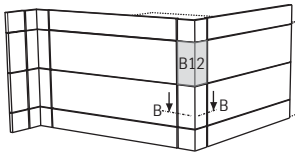


▲ = outer sheet with protective foil

| | | |
|----------------------------------|---|--|
| Basic element | <input type="checkbox"/> Hoesch isorock® | |
| Cover width 1000 mm ¹ | <input type="checkbox"/> Hoesch isorock® vario | |
| Panel thickness | <input type="checkbox"/> 60 <input type="checkbox"/> 80 <input type="checkbox"/> 100 <input type="checkbox"/> 120 | |
| Outer sheet | Type | <input type="checkbox"/> L <input type="checkbox"/> M <input type="checkbox"/> V |
| | Coating | _____ |
| | Colour | _____ |
| Inner sheet | Type | <input type="checkbox"/> E <input type="checkbox"/> L |
| | Coating | _____ |
| | Colour | _____ |
| Item | | |
| Quantity | | |
| Dimension L | mm | |

Please note: The textures of the cover sheets type “M”, “V”, “L” are orientated horizontally.

¹ Other cover widths may be ordered as special elements with a separate drawing, part no. A99.



Drawing

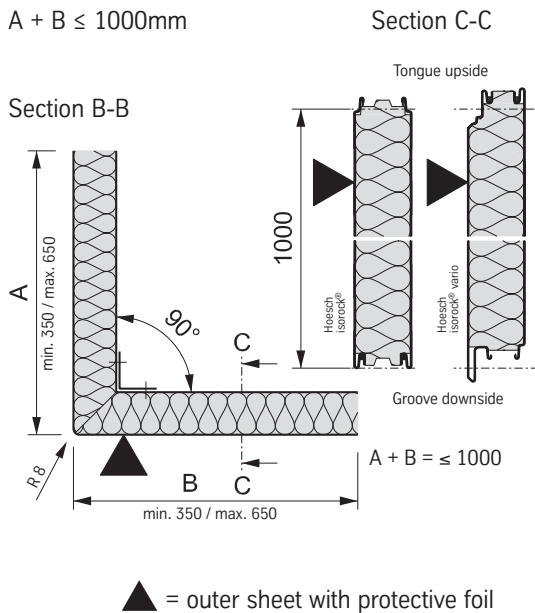
Drawing no.: _____ TKS-BAU job no.: _____

Appendix to BOM: _____ Building project: _____

Issued by: _____ Date: _____

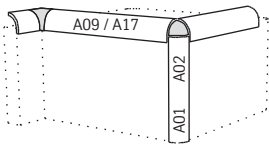
Bent parapet **Part no. B12**

$A + B \leq 1000\text{mm}$

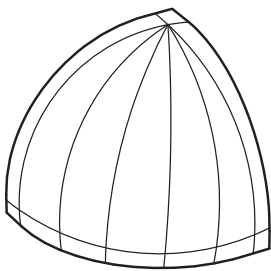


| | | | | |
|----------------------------------|-----------------|--|-----------------------------|------------------------------|
| Basic element | | <input type="checkbox"/> Hoesch isorock® | | |
| Cover width 1000 mm ¹ | | <input type="checkbox"/> Hoesch isorock® vario | | |
| Outer sheet | Panel thickness | <input type="checkbox"/> 60 | <input type="checkbox"/> 80 | <input type="checkbox"/> 100 |
| | Type | <input type="checkbox"/> L | <input type="checkbox"/> M | <input type="checkbox"/> V |
| | Coating | | | |
| Inner sheet | Colour | | | |
| | Type | <input type="checkbox"/> E | <input type="checkbox"/> L | |
| | Coating | | | |
| | Colour | | | |
| | Item | mm | | |
| | Quantity | mm | | |
| | Dimension A | mm (min 350, max 650) | | |
| | Dimension B | mm (min 350, max 650) | | |
| | A + B | mm (min 700, max 1000) | | |

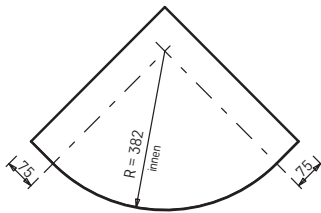
¹ Other cover widths may be ordered as special elements with a separate drawing, part no. A99.



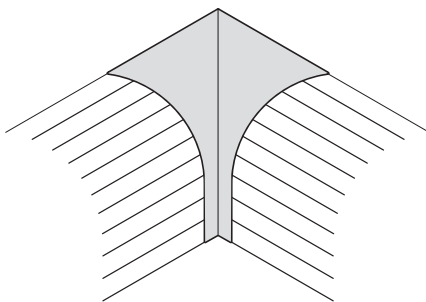
Spherical cap



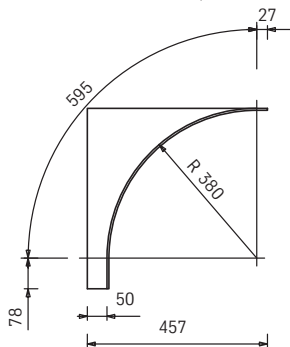
| | |
|---------------------|------------------------------------|
| Material: | Aluminium |
| Material thickness: | 2,00 mm |
| Surface finish: | Aluminium natural or spray-painted |



Inner corner



| | |
|---------------------|------------------------------------|
| Material: | Aluminium |
| Material thickness: | 2,00 mm |
| Surface finish: | Aluminium natural or spray-painted |



ThyssenKrupp Bausysteme GmbH

Hammerstrasse 11

D-57223 Kreuztal, Germany

Phone: +49 / 27 32 / 599 1 221

Fax: +49 / 27 32 / 599 1 219

E-Mail: export.tks-bau@thyssenkrupp.com

Internet: www.tks-bau.com



All details contained in this brochure are only guaranteed insofar as they have been expressly and specifically confirmed in writing. Subject to technical modifications.
GB - Info 5.2.1 · 5.2008 · bc